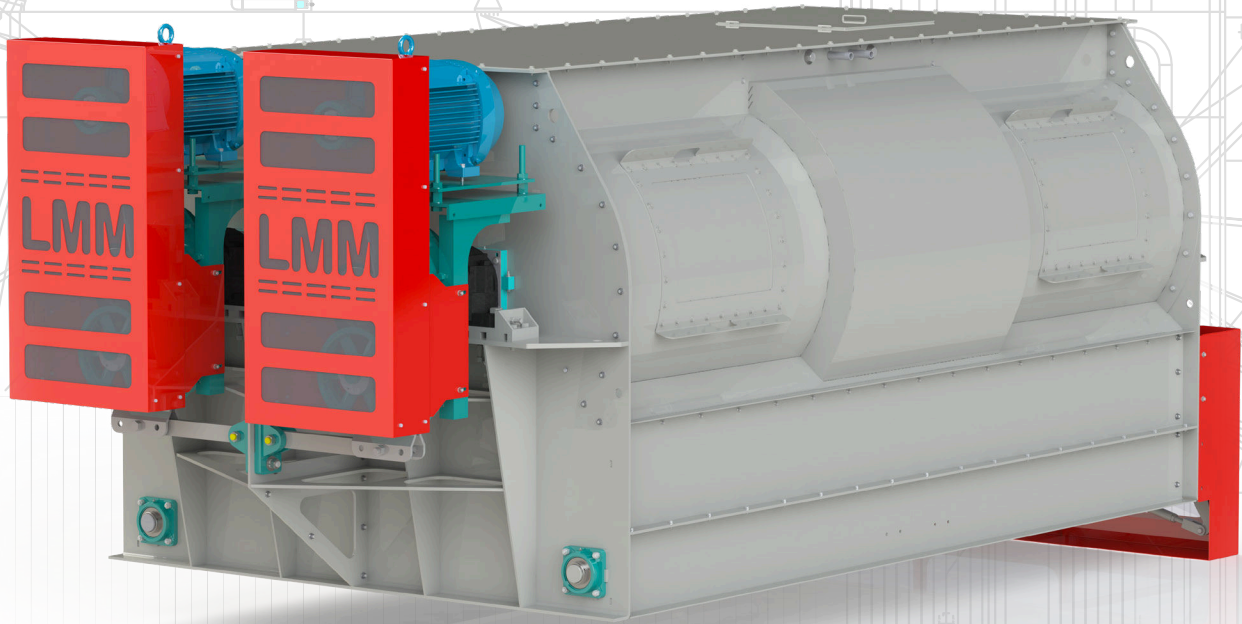




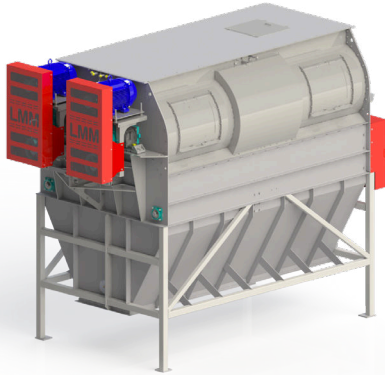
DOUBLE SHAFT MIXER



LMM
LAW-MAROT-MILPRO

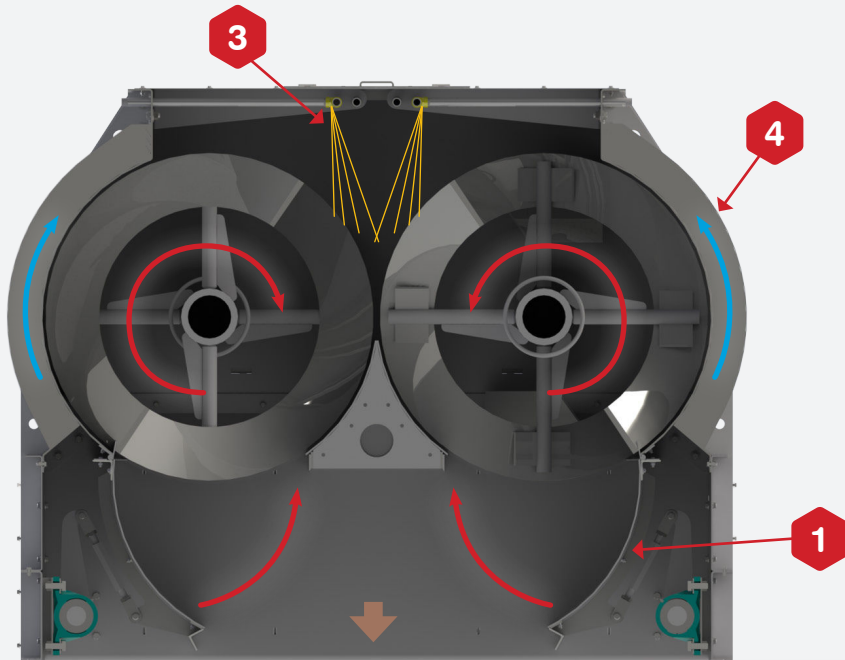


DOUBLE SHAFT MIXER



MILPRO MIXERS guarantee optimal homogeneity of the mixture with a coefficient of variation that is above the industry standards. The configuration of the internal components provides adaptability to a multitude of applications ranging from highly viscous mixtures to installations requiring the highest hourly production rate. Heavy-duty design and construction make the MILPRO mixer a low maintenance and rugged machine tough enough to take any solid premix you can throw at it.

OVERVIEW

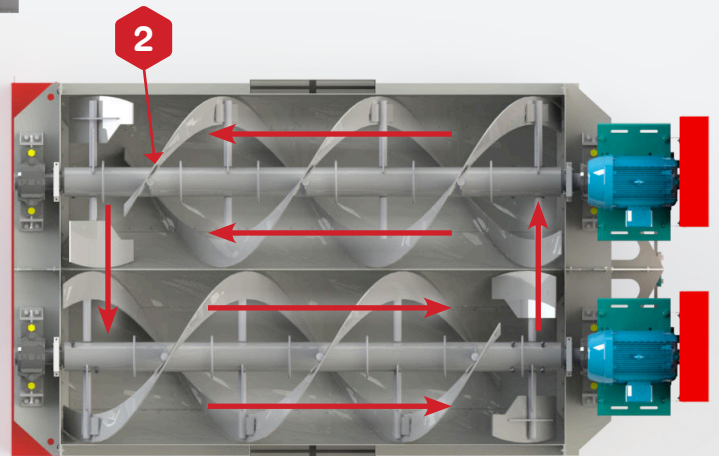


Other features:

- Capacity up to 500 ft³
- Split design and construction: to easily install in restricted areas
- Coefficient of variation (CV) under 5%
- Average mixing time for standard feed mill product of 90 seconds

FEATURES

- 1** Double Drop bottom outlet: for less discharging time
- 2** Double shaft, Single Ribbon: heavy-duty construction for demanding environments
- 3** Up to 6 liquid lines: provides greater versatility on special mix applications
- 4** Integrated equalizer vent

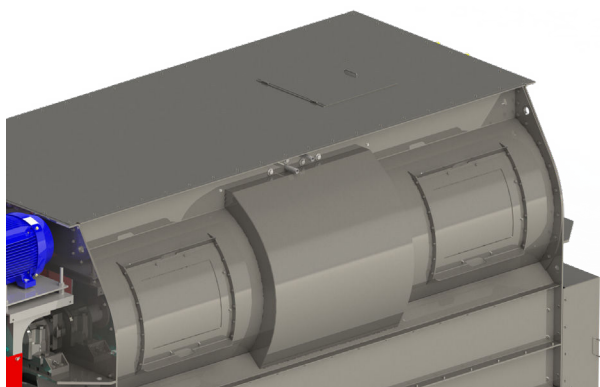


MODEL*	Capacity mT/kg**	HP motor	Dimensions (in.) ***	Weight (lbs)
MDS-130	2/2000	25	166 x 89 x 74 h.	16 000
MDS-200	3/3000	30	195 x 98 x 86 h.	18 000
MDS-260	4/4000	40	200 x 109 x 98 h.	20 000
MDS-325	5/5000	50	225 x 111 x 90 h.	24 000
MDS-400	6/6000	60	225 x 122 x 101 h.	28 000
MDS-500	8/8000	75	262 x 122 x 101 h.	32 000

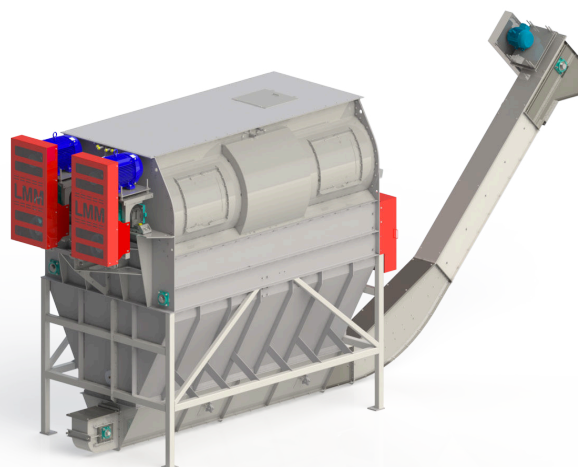
* Other models available on demand

** Capacities based on a product at 35 lbs/ft³

*** Dimensions and weights are indicative and subject to change



Four bolted sealed doors on mixer auger for an easy access to the inside for inspection & maintenance. Also an optional **sealed door on hinges on mixer top cover** with protective grate



Discharge (surge) hopper with mixer support structure. Also available: bolt-on **discharge conveyor** for the mixer's capacity, configured for the needs

Other options*:

- Anti-slip security plate (diamond plate) on top portion of the mixer for easier and safer access
- Liquid spraying lines (6 maximum), removable system by exterior for easy maintenance
- Explosion proof motor for hazardous situations

* Contact us if you have specific needs. Our engineering department would be glad to help you select or develop the components needed.



LAW DRYERS

LAW Grain Dryers

- LAW grain dryers are available in sizes up to 500 tons per hour
- Ultra-low CO₂ emissions
- Safe and Low operating cost
- High efficiency design
- Air Recycling
- Totally enclosed design
- Low noise
- Mixed flow column
- Meets OSHA & confined space requirements



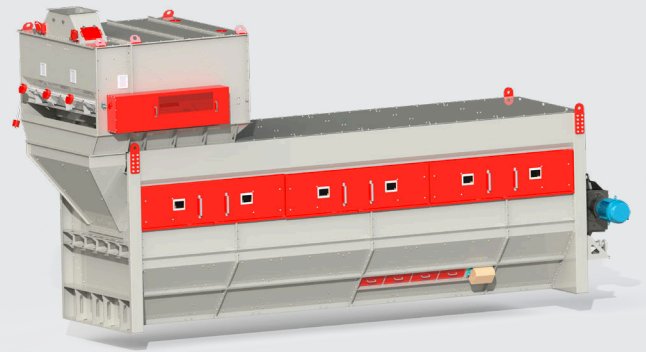
Marot CLEANERS

MAROT Rotary Cleaners

- Vibration free
- Low maintenance
- Heavy duty construction
- Variable pitch and speed
- Up to 500 t/h

Flat Screeners

- Lowest dynamic load in the industry
- Suspended carbon fiber rod design
- Low maintenance & operating cost
- Dual aspiration available
- Capacity up to 400 t/h
- Circular screening movement

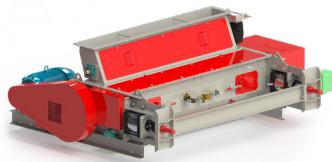


Milpro PROCESS EQUIPMENT

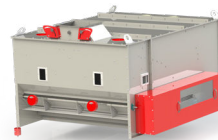
Counterflow Cooler



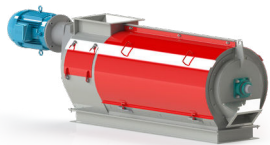
Crumbler



Aspirator



Roller mill



Feed dresser



Single shaft mixer



Cyclone



Double shaft mixer

OTHER EQUIPMENT

- Distributors
- Bucket elevators
- Flat bottom drag conveyors
- Round bottom drag conveyors
- High Flight Flat bottom drag conveyors
- Screw conveyors
- Belt conveyors
- Vertical Hammer Mills
- Vertical mixers
- Mobile probe supports
- Hoppers
- Scale Hoppers



Immequip.com